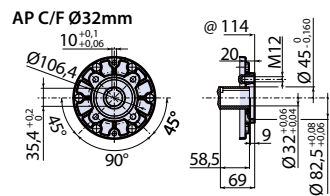
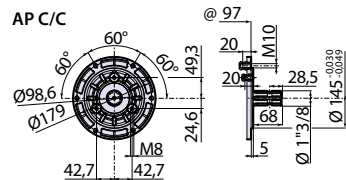
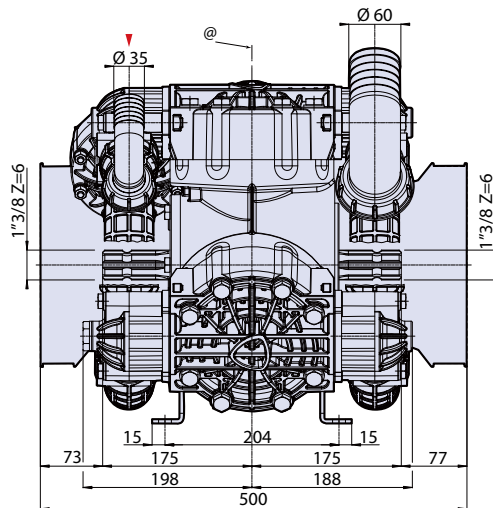
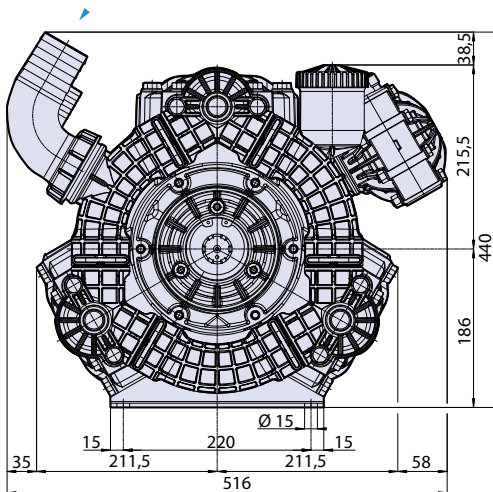




AR 245 LFP - AR 275 LFP

MI 92820
DI 3308500

CM 3308601
sp_ar245LFP_ar275LFP.pdf



@ = Pump axis - 泵中心线